

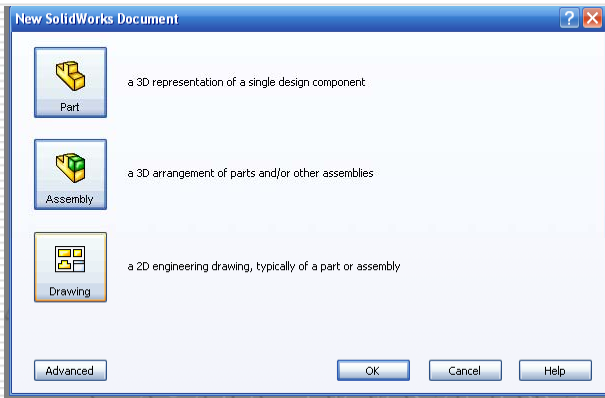
---

# SolidWorks 5

## Engineering Drawing

# OPEN A NEW DRAWING

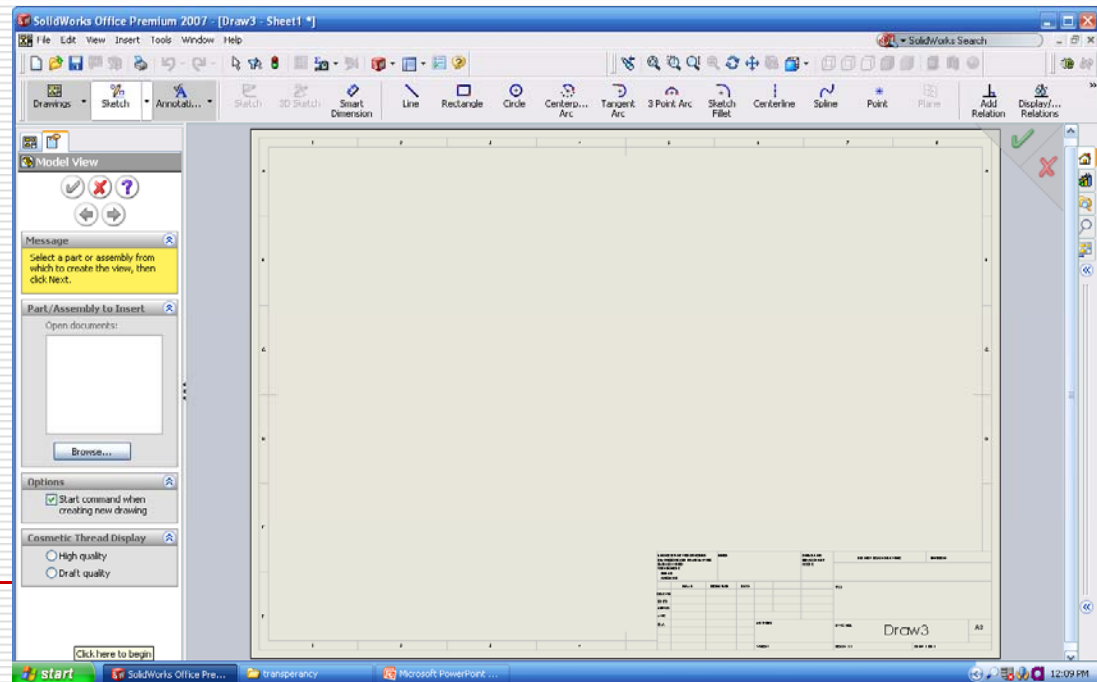
---



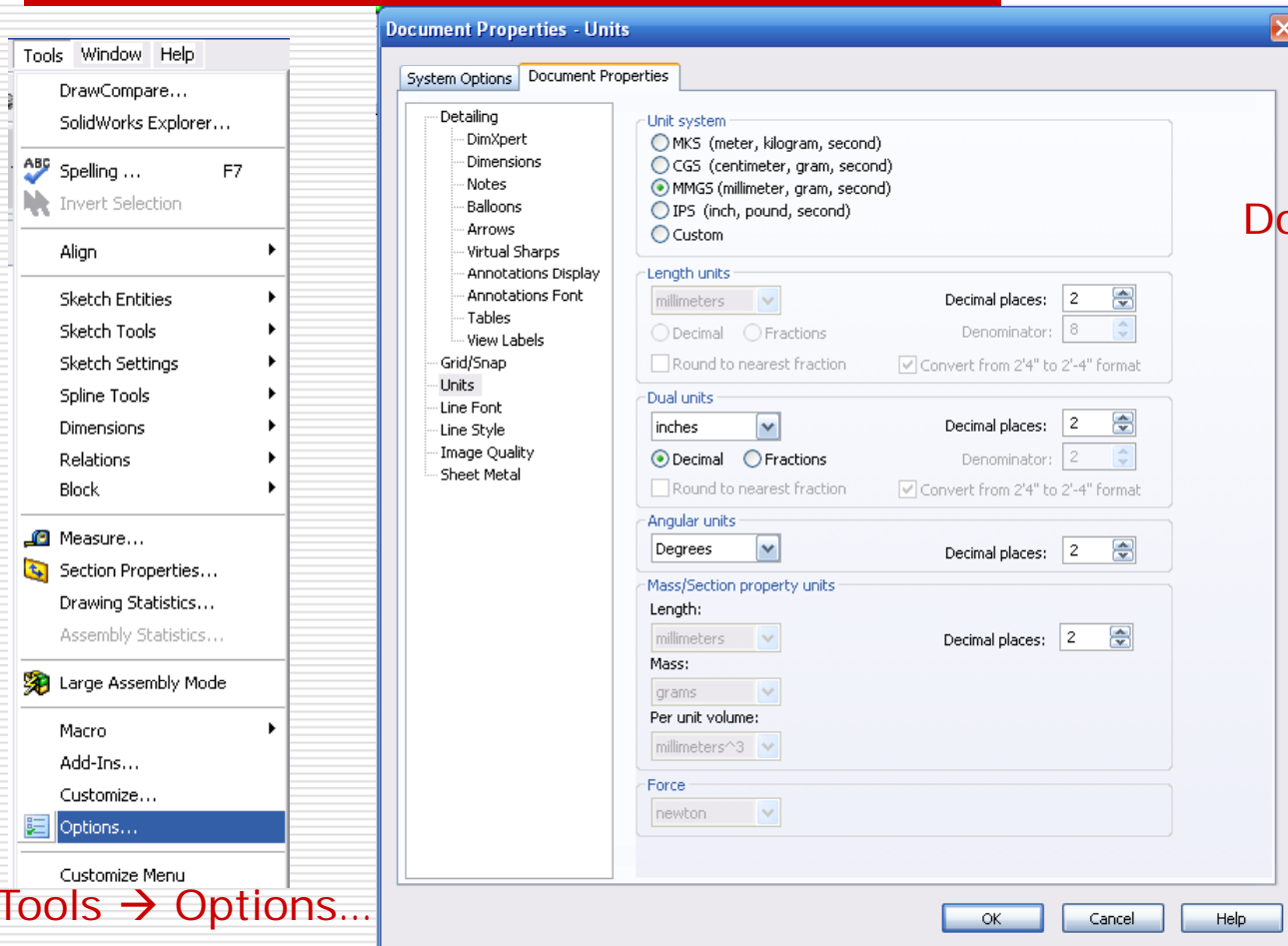
New and 2D Engineering Drawing

Select the drawing size

---



# Setting the drawing



Document Properties

Tools → Options...

# What to set?

---

Units:

- MKS (meter, kilogram, second)
- CGS (centimeter, gram, second)
- MMGS (millimeter, gram, second)
- IPS (Inch, Pound, second)
- Custom

And

set the decimal for each unit.

Dimensions:

Dimensions, Arrow, etc

\*Refer to Engineering Drawing Book

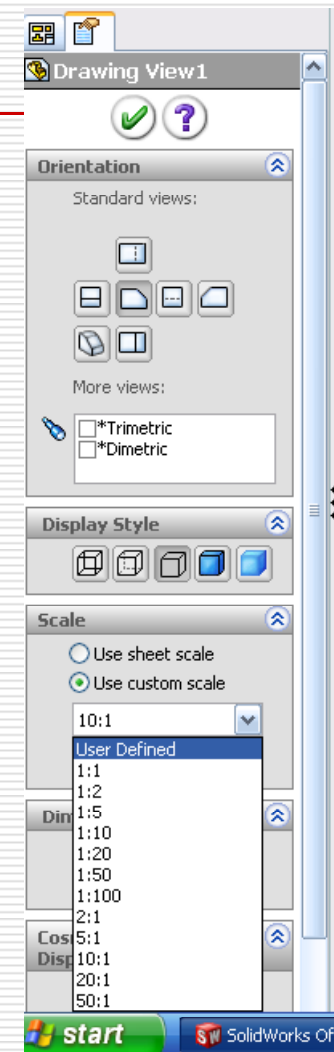
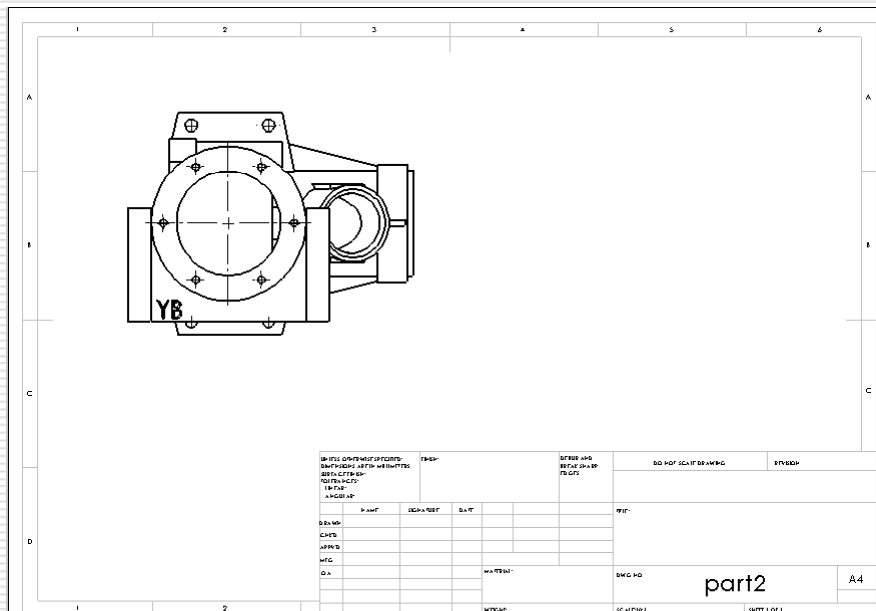


# Adjusting the scale of the component

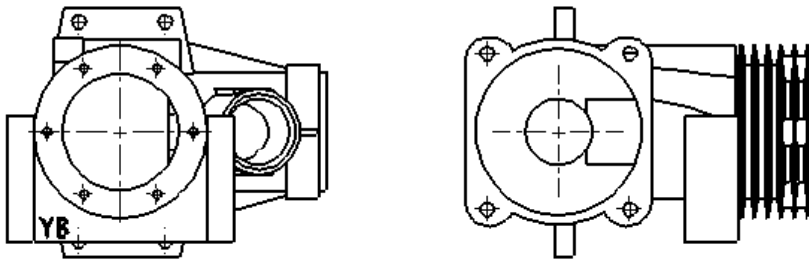
Highlight the view and scale the view accordingly.

1:2 → scale down by half (smaller)

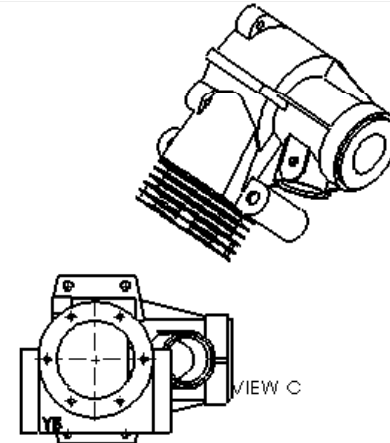
2:1 → scale up by two (bigger)



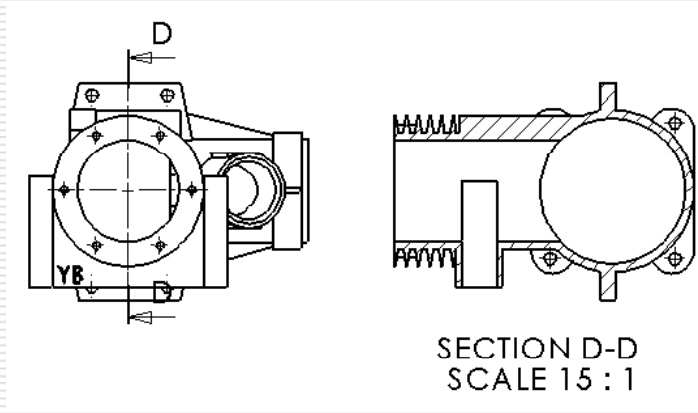
# Insertion: Projection, Auxiliary, Section and Detail



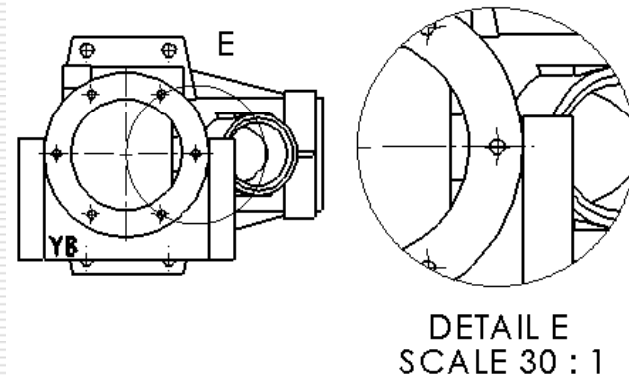
Projection



Auxiliary  
(draw reference line first)



Section



Detail

